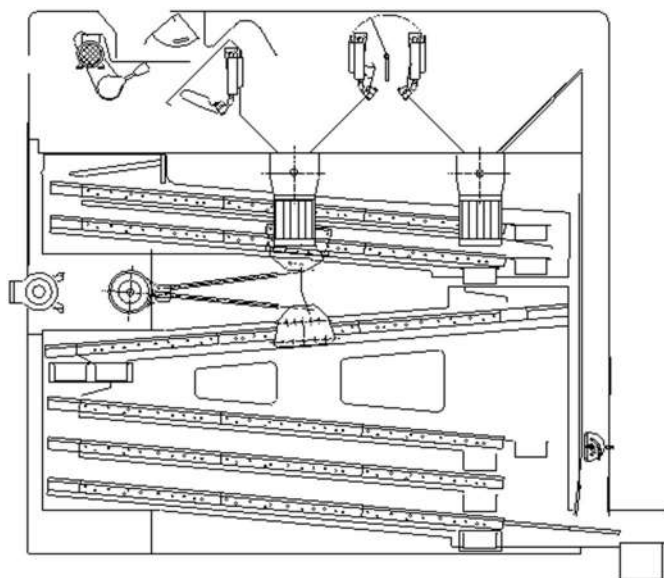


# OPTIMUM 217

## FINE SEED CLEANER

Designed for high quality fine cleaning of seeds, malting barley, legumes, grains and garden seeds.

The unique air lifting unit makes the Optimum Super 208 ideal for the most challenging separations. The Super fine cleaner includes **shaker feeder, pre-suction and after-suction system, electronic control system, flexible screen flow and air lifting fan.**



SEEDS	Bulk density t/m <sup>3</sup>	Moisture content %	Capacity t/h
Barley	0.68	14	15
Clover	0.82	14	6
Coffee, green	0.65	14	16
Maize	0.71	14	8-15
Oats	0.51	14	11
Peas, common	0.7	14	12-14
Rapeseed	0.74	7-9	10
Rice, paddy	0.51	14	6-8,5
Rice, white	0.75	14	16
Rye	0.69	14	15
Ryegrass	0.3	14	2.5
Sorghum	0.64	14	15
Soybeans	0.72	14	12-14
Sunflower	0.4	7-9	5-8
Wheat	0.76	14	16

Note: Capacities may vary for different impurity and moisture Contents

### SCREENS

Screen angle	5.0 Degrees
Screen area, total	18 m <sup>2</sup>
Screen size	1 250×800 mm (18 pcs)

### DIMENSIONS

Overall length	3 800 mm
Overall height	3 900 mm
Overall width	1 880 mm

### WEIGHT

Weight, empty	3 170 kg
Weight, operating (wheat)	3 500 kg
Weight, choked (wheat)	7 800 kg

### OPERATING SPEED

Shaker feeder (shaft)	140-700 rpm
Screens (shaft), fixed speed	280-285 rpm
Screens (shaft), variable speed	260-300 rpm

### ELECTRICAL RATINGS

Motor, shaker feeder	0.75 kW
Motor, screens	2,2 kW
Control panel	110-230 V

### AIR SUPPLY AND EXTRACTION

Aspiration volume	11 000 m <sup>3</sup> /h
-------------------	--------------------------

### DYNAMIC LOADS

Horizontal load "Ph"	±2 845 N @ 4.6-4.8 Hz
Vertical load "Pv1" (inlet end)	±1 338 N @ 4.6-4.8 Hz
Vertical load "Pv2" (outlet end)	±1 503 N @ 4.6-4.8 Hz

Note: Dynamic loads are for normal operation.

### NOISE

Sound pressure level, empty	81.6 dB(A)
Sound power level, empty	96.1 dB(A)

### COMPLIANCE

EU machinery legislation	Yes
EU ATEX legislation	Option*
EU food contact legislation	Option*

\* Consult your **Saat Technologie** dealer for full details.

### ENVIRONMENTAL CONDITIONS

Environment	Indoors
Temperature	From -20°C to +40°C
Altitude	Up to 800 m

### SURFACE PROTECTION

Frame and enclosure	Paint (corrosivity category C2; low durability)
---------------------	---

### LIFETIME

Intended life limit	20 years
---------------------	----------